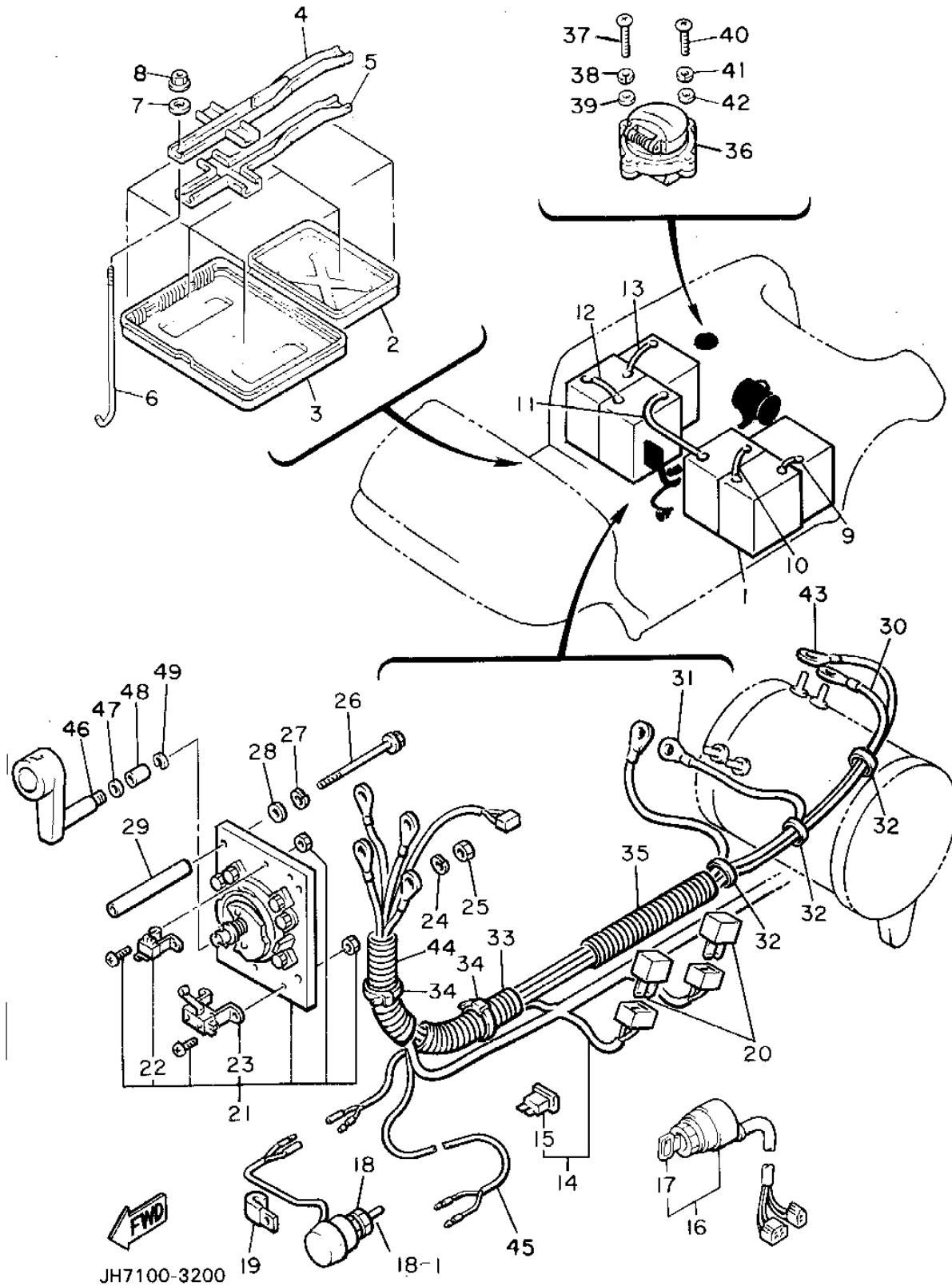


# ELECTRICAL 1



Ref. No.	Part Number	Description	Qty	Remarks
30	JH7-H2521-00-00	WIRE, LEAD .....	1	YPAD
31	JH7-H2531-00-00	WIRE, LEAD .....	1	YPAD
32	90601-200U1-00	BAND .....	3	
33	J56-H7197-00-00	TUBE 2 .....	1	YPAD
34	12R-82591-00-00	BAND .....	2	
35	J56-H7196-00-00	TUBE 1 .....	1	YPAD
36	JF3-86181-00-00	RECEPTACLE .....	1	
37	98506-05035-00	SCREW, PAN HEAD .....	2	
38	92906-05100-00	WASHER, SPRING .....	2	
39	92906-05600-00	WASHER, PLATE .....	2	
40	98586-05016-00	SCREW, PAN HEAD .....	2	
41	92906-05100-00	WASHER, SPRING .....	2	
42	92906-05600-00	WASHER, PLATE .....	2	
43	JH7-H6171-00-00	WIRE, LEAD 1 .....	1	YPAD
44	JH7-H7197-00-00	TUBE 2 .....	1	YPAD
45	JH7-H6527-00-00	WIRE 7 .....	1	YPAD
46	J41-46381-00-00	KNOB, SHIFT .....	1	
47	90201-12474-00	WASHER, PLATE .....	1	
48	J41-46394-00-00	JOINT .....	1	
49	99001-08600-00	CIRCLIP .....	1	
	G9E-PARTS-BO-AR	ASSEMBLY, HARDWARE .....	9	OPTIONAL PART
18-1	JF2-82532-00-00	. CAP, RUBBER .....	1	

