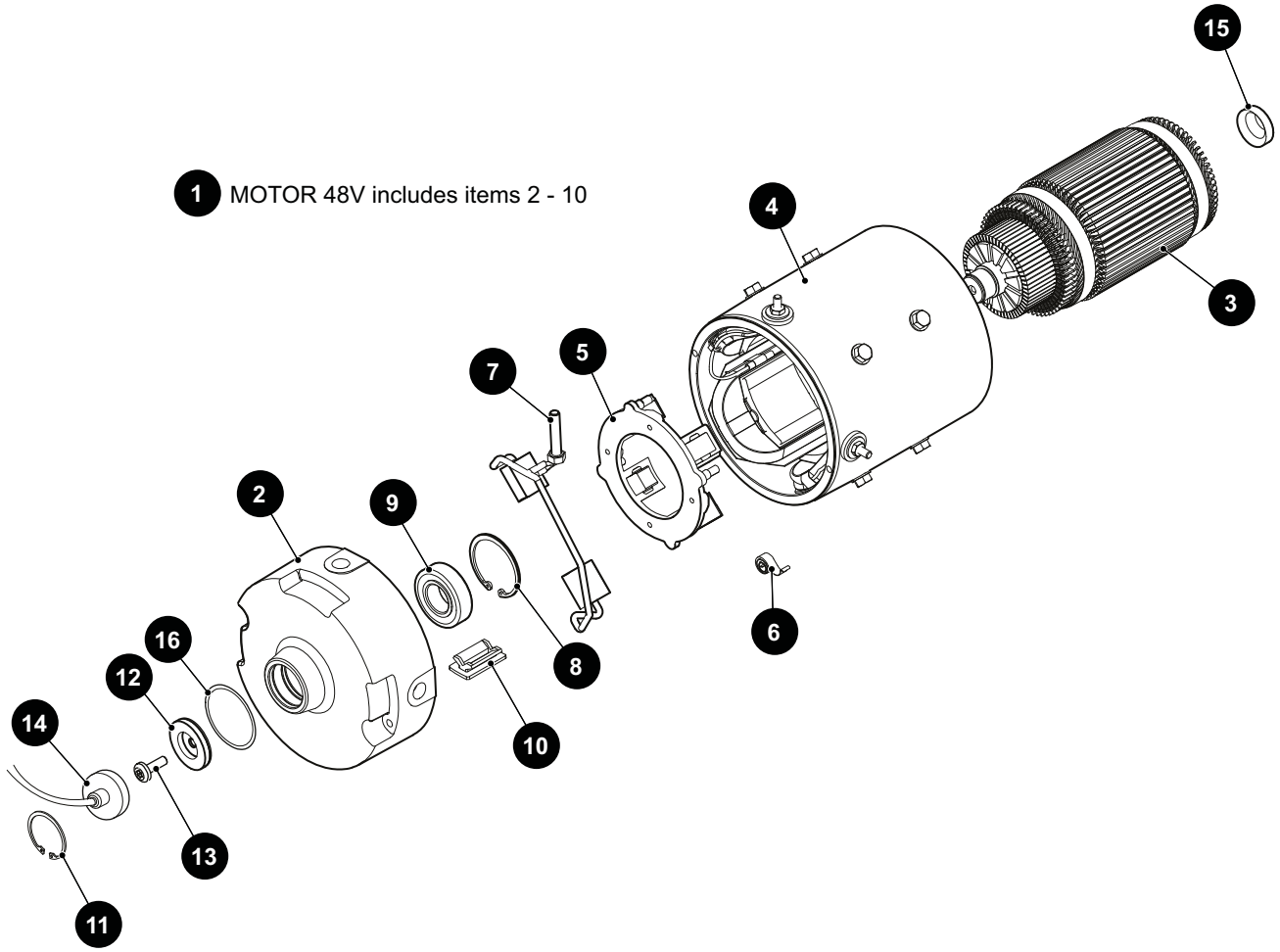


MOTOR



When ordering parts, please specify the model and serial number of the product.

* Indicates a component that is not available as an individual part.

*** Indicates consult Customer Service Department for additional information.

ITEM	PART NO.	1 2 3 4 5	DESCRIPTION	QTY.
1	624105		MOTOR 48V (INCLUDES ITEMS 2 - 10).....	1
2	625886		COMMUTATOR END HEAD	1
3	626171		ARMATURE.....	1
4	626172		FRAME AND FIELD ASSEMBLY	1
5	625884		BRUSH BOX ASSEMBLY	1
6	73120G03		BRUSH SPRING	4
7	73120G25		BRUSH AND TERMINAL SERVICE KIT	1
8	73120G06		RETAINING RING	1
9	73120G07		BEARING	1
10	625885		COVER.....	1
11	73277G01		RETAINING RING, 1.66"	1
12	73328G01		SPEED SENSOR MAGNET	1
13	01037G02		PAN HEAD TORX SCREW, #10-32 X 1/2" LG	1
14	620422		SPEED SENSOR HARNESS	1
15	24261G1		BUMPER SPLINE	1
16	624109		O-RING, 1 1/2" O.D X 1 3/8" I.D.....	1