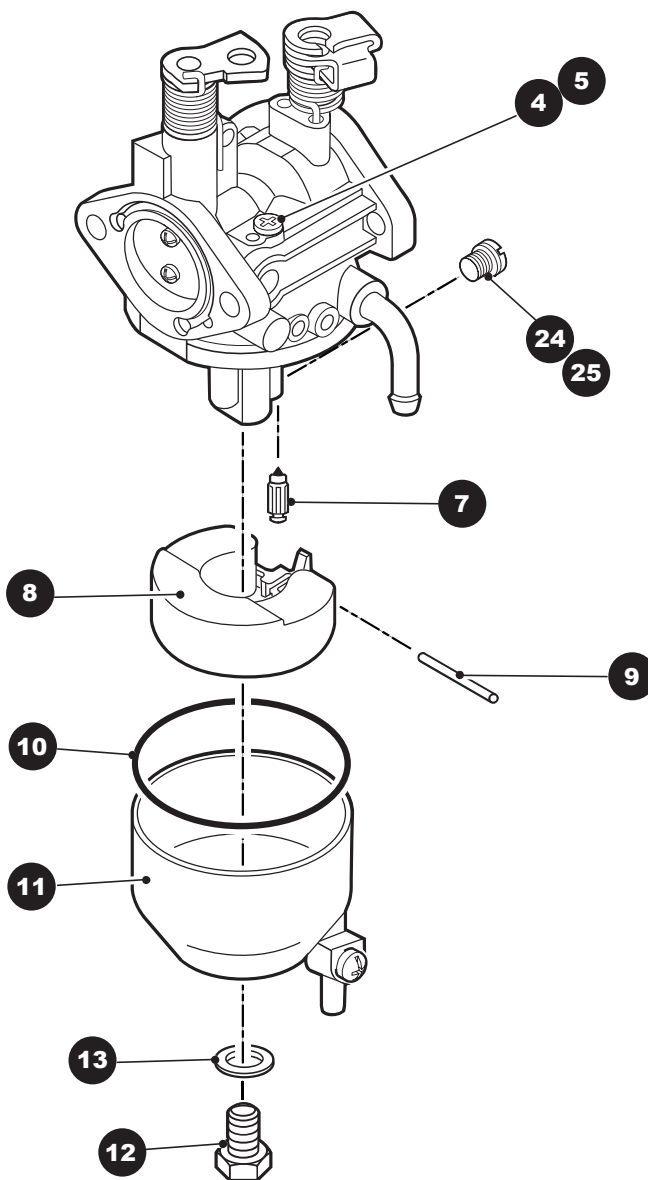
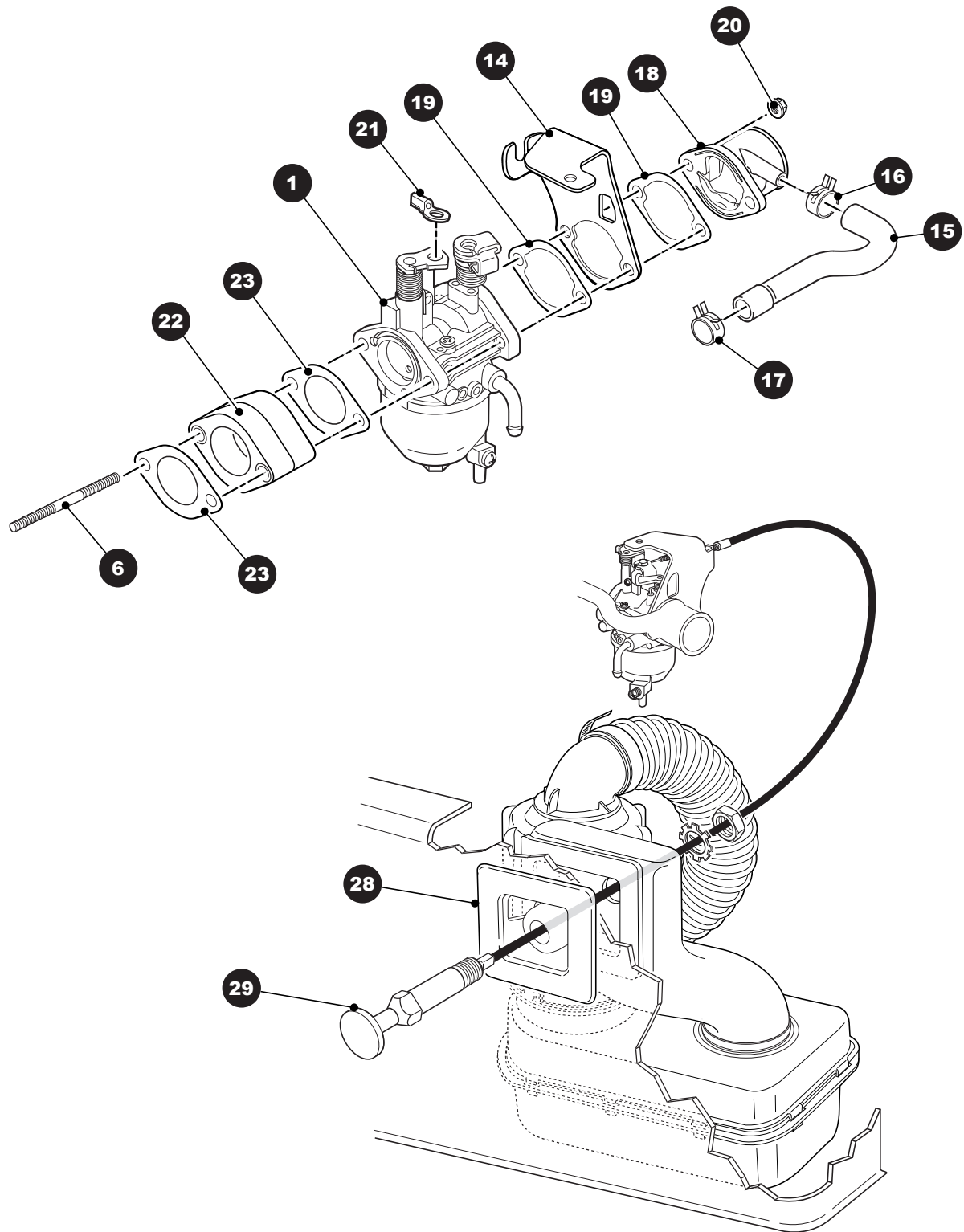


CARBURETOR AND CHOKE

1 Carburetor includes items 3 - 23



CARBURETOR AND CHOKE



CARBURETOR AND CHOKE

When ordering parts, please specify the model and serial number of the product.

* Indicates a component that is not available as an individual part.

*** Indicates consult Customer Service Department for additional information.

ITEM	PART NO.	1 2 3 4 5	DESCRIPTION	QTY.
1	607954		CARBURETOR (INCLUDES ITEMS 3 - 23).....	1
2				
3				
4	608021		PILOT JET (#44).....	1
5	603585		PLUG	1
6	603584		STUD BOLT	1
7	603586		NEEDLE VALVE.....	1
8	603587		FLOAT	1
9	603588		FLOAT PIN.....	1
10	603589		FLOAT BOWL GASKET.....	1
11	603590		FLOAT CHAMBER.....	1
12	603592		CHAMBER PLUG	1
13	603591		BOWL GASKET	1
14	603583		CHOKE BRACKET	1
15	603598		BREATHER TUBE	1
16	603596		CLAMP, INTAKE TUBE.....	1
17	603597		CLAMP CYLINDER HEAD TUBE	1
18	603594		INTAKE TUBE.....	1
19	603593		CHOKE GASKET.....	2
20	603595		HEX NUT, M6 X 1.0	2
21	608023		THROTTLE ROD ATTACHMENT BUSHING.....	1
22	603581		CARBURETOR INSULATOR	1
23	603580		CARBURETOR MOUNT GASKET	2
24	607684		MAIN JET (#102) (FOR ELEVATIONS OF 3000 FT - 6000 FT).....	1
25	607685		MAIN JET (#100) (FOR ELEVATIONS OF 6000 FT - 10000 FT).....	1
26				
27				
28	600209		CHOKE/AIR INTAKE ADAPTER	1
29	601986		CHOKE CABLE (22 1/4" LG WITH NUTS).....	1
30	607681		LABEL, HIGH ALTITUDE JET, 3000 FT - 6000 FT (NOT ILLUSTRATED)	1
31	607682		LABEL, HIGH ALTITUDE JET, 6000 FT (NOT ILLUSTRATED).....	1

