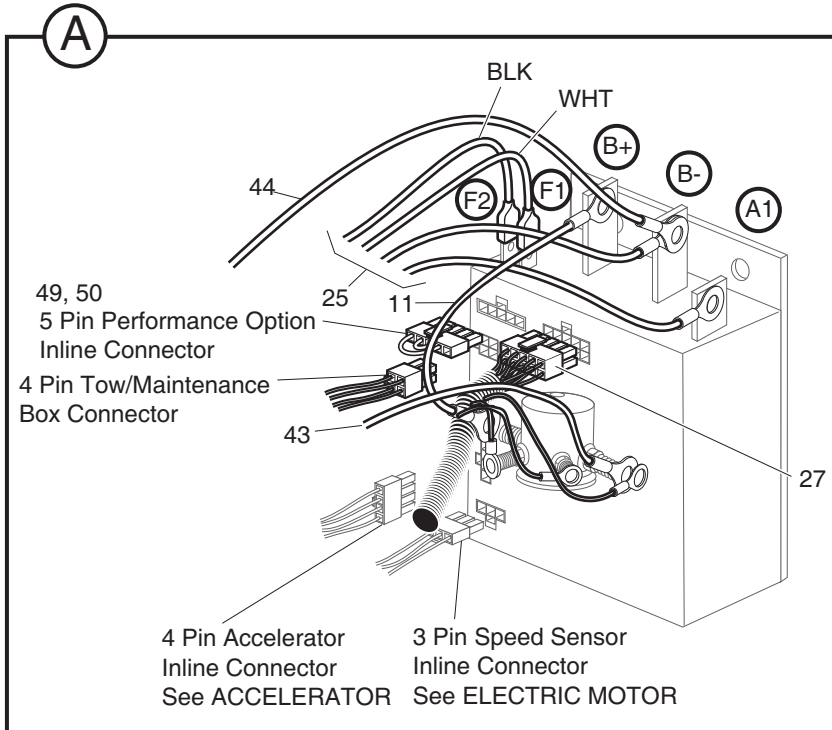
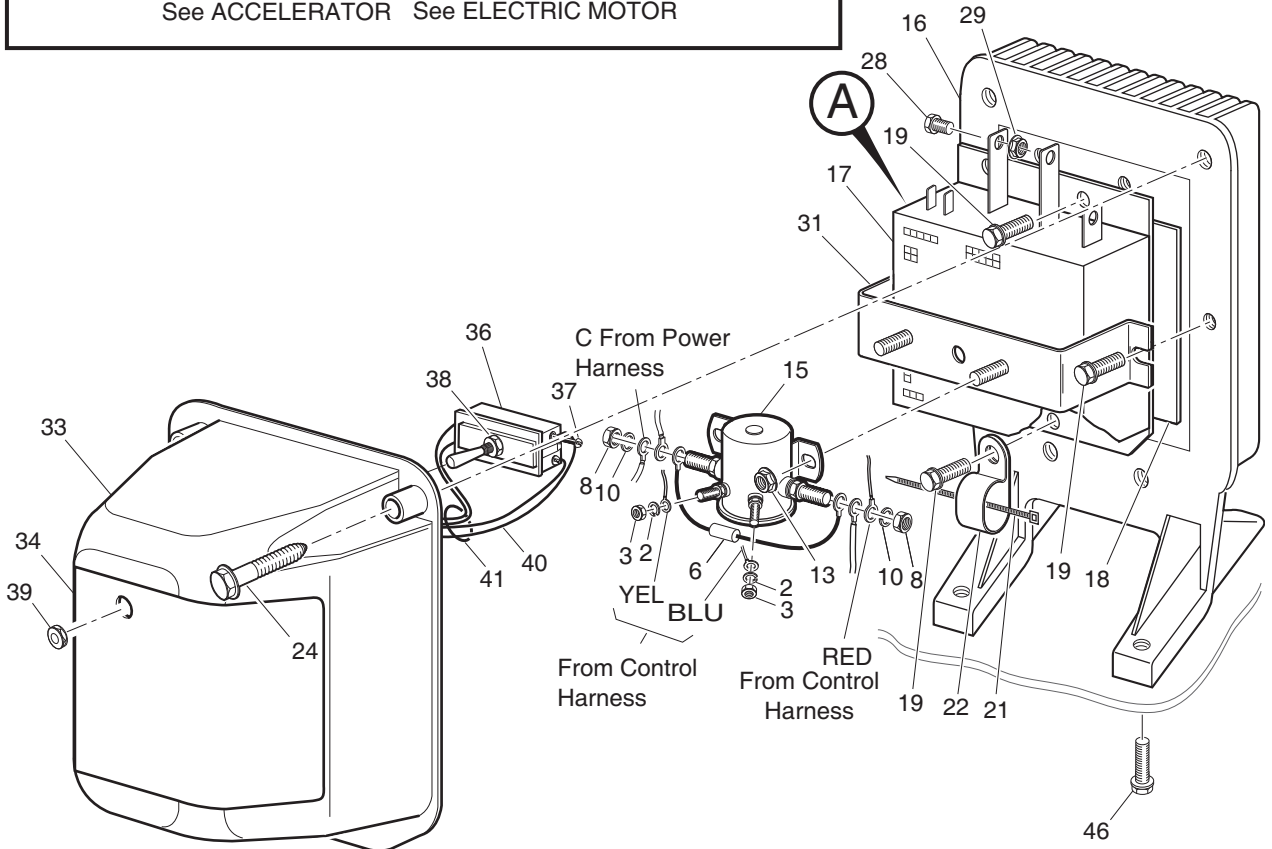


# ELECTRONIC SPEED CONTROL - PDS



- 1 - Includes Items 2 - 44
- 32 - Includes Items 33 - 41
- 36 - Includes Items 37 - 39



ReRef Esp 17-1

## ELECTRONIC SPEED CONTROL - PDS

Where applicable, THE USE OF NON UL PARTS WILL VOID ANY UL LISTING.

When ordering parts, please specify the model and serial number of the product.

\* Indicates a component that is not available as an individual part.

G\*\* Indicates consult Customer Service Department for additional information.

ITEM	PART NO.	1	2	3	4	5	DESCRIPTION	QTY.
1	73276-G02						ELECTRONIC SPEED CONTROL ASSEMBLY (INCLUDES ITEMS 2 - 44).....	1
2	*						LOCK WASHER, #10 .....	2
3	*						NUT, 10 - 32.....	2
4								
5								
6	21764-G1						RESISTOR.....	1
7								
8	*						NUT, 5/16 - 24.....	2
9								
10	*						LOCK WASHER, 5/16" .....	2
11	607591						4 GA WIRE, GREEN 11.5".....	1
12								
13	800706						LOCK NUT, 1/4 - 20 .....	2
14								
15	27855-G02						SOLENOID, 36 VOLT .....	1
16	73471-G01						HEATSINK .....	1
17	73326-G07						ELECTRONIC SPEED CONTROLLER.....	1
18	73190-G01						THERMAL MOUNTING PAD .....	1
19	71102-G01						BOLT, 1/4 - 20 X 3/4" LG. ....	5
20								
21	31539-G1						WIRE TIE .....	1
22	73053-G01						DOUBLE TUBE CLAMP .....	1
23								
24	71102-G03						BOLT, 1/4 - 20 X 1 3/16" LG. ....	4
25	73106-G01						WIRE HARNESS (POWER) .....	1
26								
27	74324-G02						WIRE HARNESS (CONTROL) .....	1
28	00270-G5						BOLT, 5/16 - 18 X 5/8" LG. ....	3
29	11027-G1						LOCK NUT, 5/16 - 18 .....	3
30								

# ELECTRONIC SPEED CONTROL - PDS

Where applicable, THE USE OF NON UL PARTS WILL VOID ANY UL LISTING.

When ordering parts, please specify the model and serial number of the product.

\* Indicates a component that is not available as an individual part.

G\*\* Indicates consult Customer Service Department for additional information.

ITEM	PART NO.	1	2	3	4	5	DESCRIPTION	QTY.
31	25866-G01						SOLENOID BRACKET .....	1
32	73089-G01						COVER ASSEMBLY (INCLUDES ITEMS 33 - 41) .....	1
33	73028-G02						COVER (WITH GASKET) .....	1
34	73093-G01						LABEL (TOW SWITCH) .....	1
35								
36	73125-G01						TOGGLE SWITCH WITH SEAL (INCLUDES ITEMS 37 - 39) .....	1
37	*						SCREW, #5 - 40.....	4
38	*						NUT, 15/32 - 32.....	1
39	73139-G01						SEALED NUT, 15/32 - 32.....	1
40	73138-G02						WIRE HARNESS (TOW SWITCH).....	1
41	17618-G1						WIRE TIE .....	1
42								
43	607592						4 GA WIRE, GREEN 28" .....	1
44	607593						4 GA WIRE, GREEN 37" .....	1
45								
46	71102-G01						BOLT, 1/4 - 20 X 3/4" LG .....	4
47								
48								
49	73272-G02						PERFORMANCE OPTION (STEEP HILL).....	1
50	73272-G03						PERFORMANCE OPTION (MILD HILL) .....	1