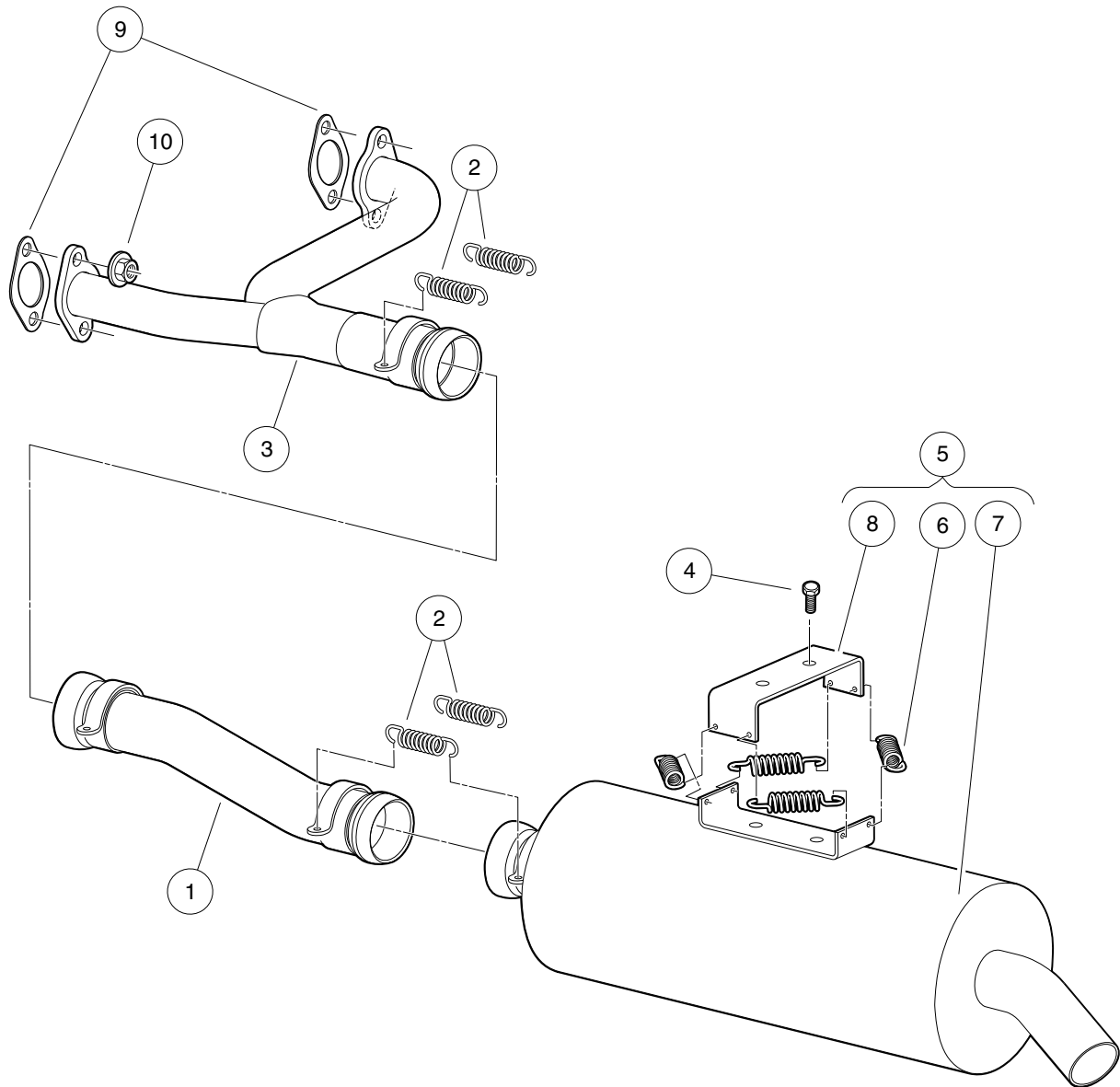


11

G

D



000075-001

EXHAUST SYSTEM, GASOLINE VEHICLES

ITEM	PART NO.	DESCRIPTION	QTY
		1 2 3 4	
1	102409401	Pipe, Exhaust Intermediate	1
2	102409501	Spring, Exhaust	4
3	102409601	Header, Exhaust, Gas	1
4	102621201	Bolt Flanged Head, M8 X1.25x 16 with Loctite	2
5	102812801	Asm, Muffler, AWD Homologation (includes items 6 through 8)	1
6	102409501	Spring, Exhaust	4
7	N/A	Muffler	1
8	N/A	Bracket, Muffler	1
9	102834901	Gasket, Exhaust, Gx620	2
10	96704416	Nut Flg, M8 X 1.25 Serrated	4

11

G

D