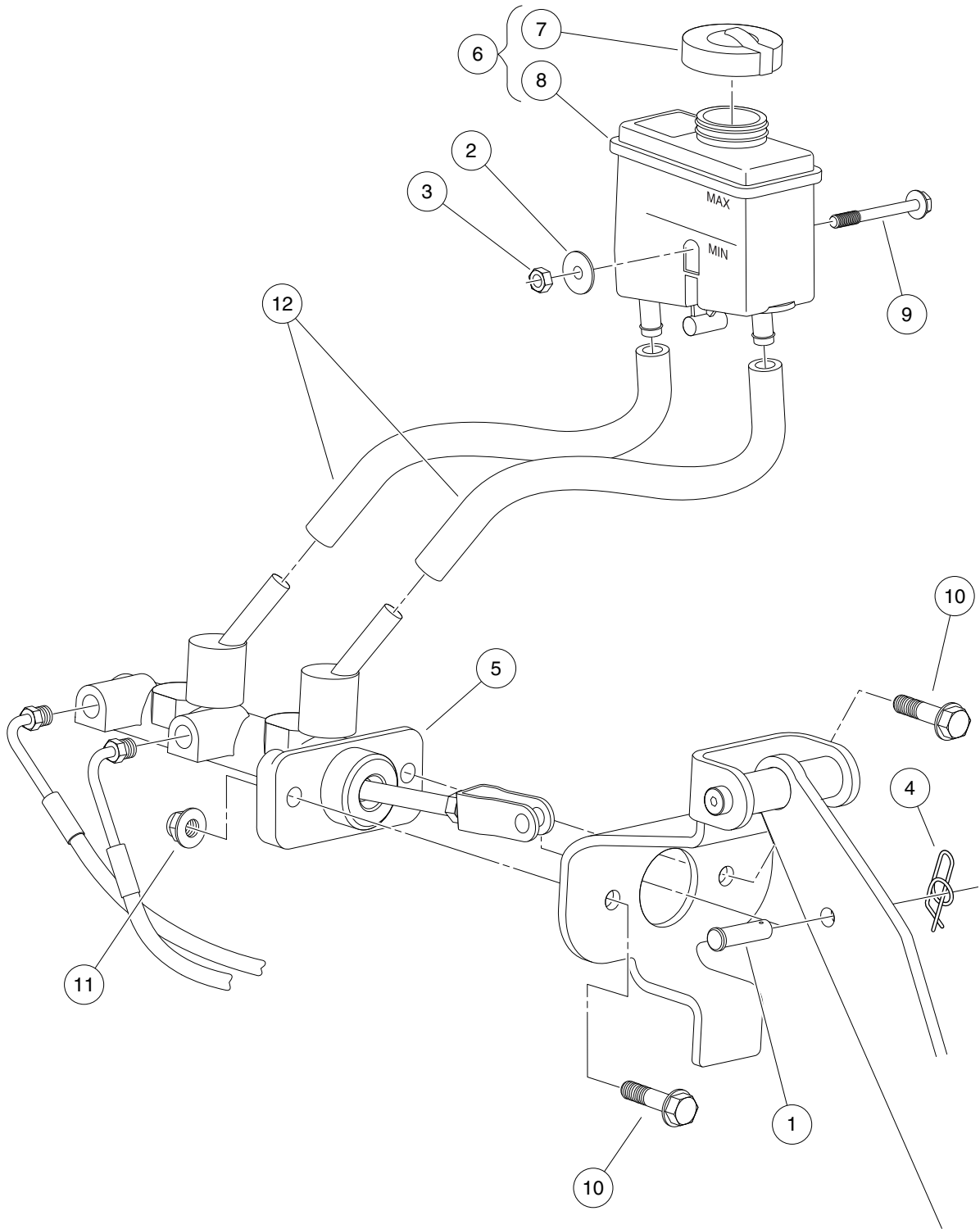


4

G

D



000069-001

# MASTER CYLINDER

ITEM	PART NO.	DESCRIPTION	QTY
		<b>1 2 3 4</b>	
1	101082903	Clevis Pin, 5/16 X 1 .....	1
2	1014306	Washer, 1/4" Type B Flat .....	1
3	101887601	Locknut, M6-1.00 Nylon Insert .....	1
4	102176901	Pin, Rue .....	1
5	102402801	Cylinder, Master, Tandem .....	1
6	102402901	Assembly, Reservoir, Remote (includes items 7 and 8) .....	1
7	102051401	Filler Cap Asm .....	1
8	N/A	Reservoir, Brake Fluid, Without Cap .....	1
9	102541465	Bolt, M 6 X 1.0 X 65 Hex, Flange, Head, Black .....	1
10	102618401	Bolt Flanged Head, M8 X 1.25 X 35 .....	2
11	102618601	Lock Nut, Flg M8 X 1.25 Nylon .....	2
12	102715701	Line, Reservoir, Brake .....	2

**4**

**G**

**D**