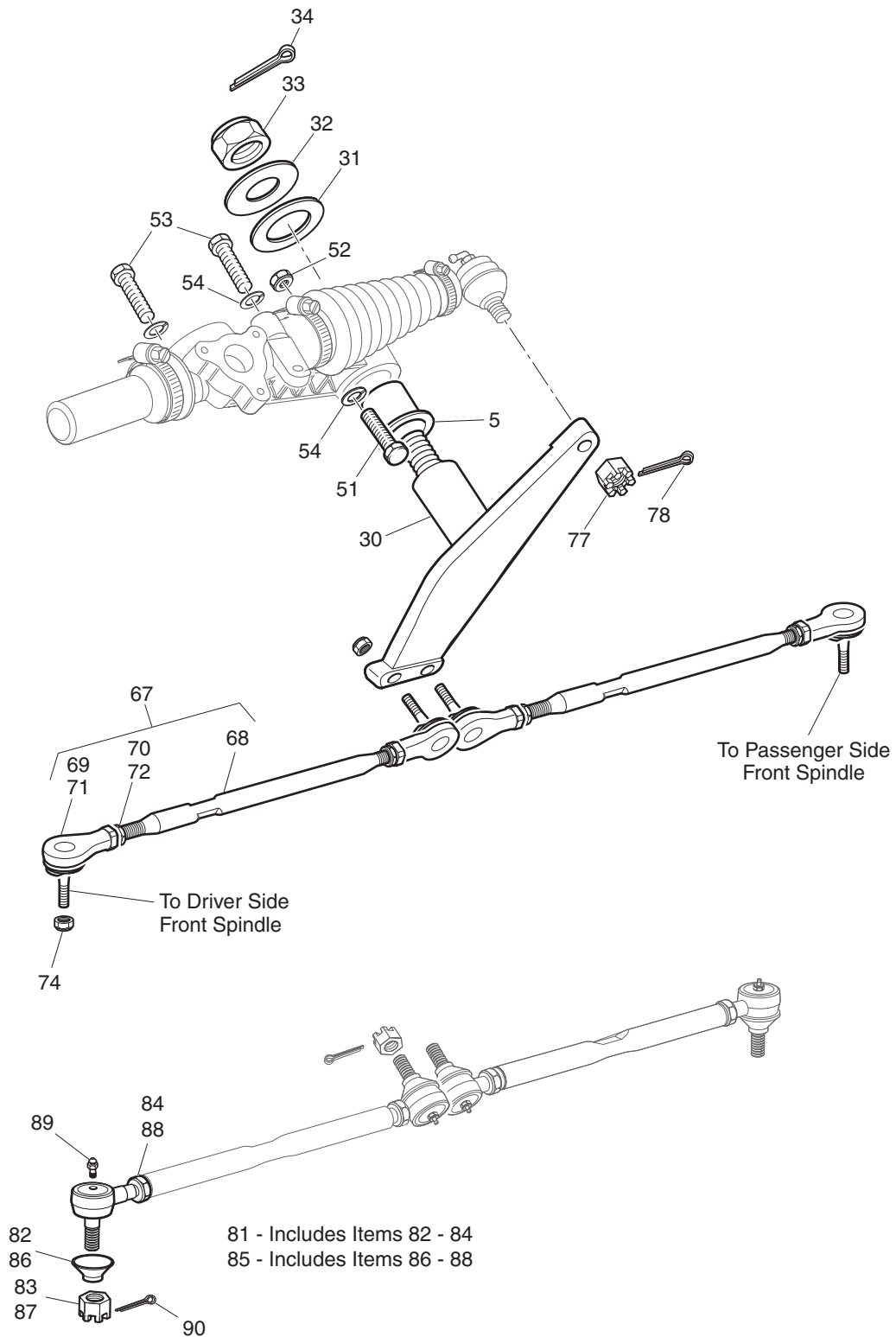


## IDLER, TIE RODS AND MOUNTING



Ref Str 9-2

# STEERING

THE USE OF NON U.L. PARTS WILL VOID ANY U.L. LISTING.

When ordering parts, please specify the model and serial number of the product.

\* Indicates a component that is not available as an individual part.

G\*\* Indicates consult Customer Service Department for additional information.

ITEM	PART NO.	1 2 3 4 5	DESCRIPTION	QTY.
1	70723-G02		STEERING BOX ASSEMBLY (COMPLETE) (INCLUDES ITEMS 2 - 34) .....	1
2	75364-G01		STEERING HOUSING (INCLUDES ITEMS 3 - 6) .....	1
3	*		SLEEVE BEARING .....	1
4	*		SLEEVE BEARING .....	1
5	*		FLANGED BEARING .....	1
6	10389-G3		GREASE FITTING, STRAIGHT .....	1
7				
8	00426-G6		BOLT, 3/8 - 16 X 3/4" LG.....	2
9	18456-G1		GREASE FITTING, 90° .....	1
10	70177-G01		RACK GUIDE COVER .....	1
11	70225-G01		GASKET .....	1
12	70178-G01		COMPRESSION SPRING .....	1
13	70179-G01		RACK GUIDE.....	1
14	11391-G1		HOSE CLAMP, 1 5/16" .....	1
15	70041-G01		RACK COVER .....	1
16	11391-G1		HOSE CLAMP, 1 5/16" .....	1
17	70183-G01		BELLOWS.....	1
18	11391-G5		HOSE CLAMP, 13/16" .....	1
19				
20	70724-G01		STEERING GEAR KIT (INCLUDES ITEMS 21 - 28) .....	1
21	70717-G01		GEAR PINION .....	1
22	15112-G1		BALL BEARING .....	1
23	70190-G01		EXTERNAL RETAINING RING .....	1
24	70718-G01		STEERING RACK .....	1
25	70192-G01		RACK BALL END .....	1
26	00544-G8		JAM NUT, 7/16 - 20 .....	1
27	18456-G1		GREASE FITTING, 90° .....	1
28	70466-G01		RETAINER.....	1
29				
30	70184-G01		IDLER .....	1

# STEERING

THE USE OF NON U.L. PARTS WILL VOID ANY U.L. LISTING.

When ordering parts, please specify the model and serial number of the product.

\* Indicates a component that is not available as an individual part.

G\*\* Indicates consult Customer Service Department for additional information.

ITEM	PART NO.	1 2 3 4 5	DESCRIPTION	QTY.
31	70216-G01		THRUST WASHER, 1 1/2" .....	1
32	70195-G01		THRUST WASHER, 7/8" .....	1
33	00734-G6		LOCK NUT, 7/8 - 9 .....	1
34	00798-G8		COTTER PIN, 5/32" X 1 3/4" LG .....	1
35				
36	70360-G01		STEERING SHAFT/COLUMN KIT (INCLUDES ITEMS 37 - 48) .....	1
37	14322-G6		STEERING SHAFT .....	1
38	70558-G01		COUPLING .....	1
39	00550-G1		LOCK NUT, 1/4 - 20 .....	2
40	70227-G01		BOLT, 1/4 - 20 X 7/8" LG .....	2
41	70223-G01		GASKET .....	1
42	00876-G2		BOLT, 3/8 - 16 X 1 1/4" LG WITH PATCHLOCK .....	3
43	00878-G1		LOCK WASHER, 3/8" .....	3
44	70466-G01		RETAINER .....	1
45	28633-G01		STEERING COLUMN KIT (INCLUDES ITEMS 46 - 48) .....	1
46	*		STEERING COLUMN .....	1
47	28569-G01		STEERING COLUMN BUSHING .....	1
48	01022-G01		SCREW, #6 - 20 X 5/16" LG .....	1
49				
50				
51	00470-G4		BOLT, 7/16 - 20 X 2 1/2" LG .....	1
52	00734-G3		LOCK NUT, 7/16 - 20 .....	1
53	01033-G01		BOLT, 7/16 - 14 X 1 1/4" LG WITH PATCHLOCK .....	2
54	00566-G2		LOCK WASHER, 7/16" .....	3
55				
56				
57				
58	71146-G01		STEERING WHEEL .....	1
59	71949-G01		HUB COVER .....	1
60				

# STEERING

THE USE OF NON U.L. PARTS WILL VOID ANY U.L. LISTING.

When ordering parts, please specify the model and serial number of the product.

\* Indicates a component that is not available as an individual part.

G\*\* Indicates consult Customer Service Department for additional information.

ITEM	PART NO.	1 2 3 4 5	DESCRIPTION	QTY.
61	71147-G01		STEERING WHEEL COVER .....	1
62	71047-G01		LABEL (E-Z-GO) .....	1
63				
64	14390-G2		LOCK NUT, 5/8 - 18 .....	1
65				
66				
67	70904-G04		TIE ROD ASSEMBLY (INCLUDES ITEMS 68 - 72) .....	2
68	70855-G03		THREADED ROD (10 1/8" LG).....	1
69	70902-G01		TIE ROD END (LEFT HAND THREADS) .....	1
70	01069-G01		JAM NUT, M12 X 1.25-05 (LEFT HAND THREADS).....	1
71	70902-G02		TIE ROD END (RIGHT HAND THREADS).....	1
72	01069-G02		JAM NUT, M12 X 1.25-05 (RIGHT HAND THREADS) .....	1
73				
74	00734-G1		LOCK NUT, 7/16 - 14 .....	4
75				
76				
77	50209-G2		CASTELLATED NUT, 7/16 - 20 .....	1
78	10387-G2		COTTER PIN, 3/32" X 1" LG .....	1
79				
80				
81	27205-G01		TIE ROD END (LEFT HAND THREAD) (INCLUDES ITEMS 82 - 84) .....	1
82	50641-G1		RUBBER BOOT .....	1
83	50209-G2		CASTELLATED NUT, 7/16 - 20 .....	1
84	18434-G3		JAM NUT, 9/16 - 18 (LEFT HAND THREAD) .....	1
85	27205-G02		TIE ROD END (RIGHT HAND THREAD) (INCLUDES ITEMS 86 - 88).....	1
86	50641-G1		RUBBER BOOT .....	1
87	50209-G2		CASTELLATED NUT, 7/16 - 20 .....	1
88	18434-G4		JAM NUT, 9/16 - 18 (RIGHT HAND THREAD) .....	1
89	10389-G3		GREASE FITTING, STRAIGHT.....	2
90	10387-G2		COTTER PIN, 3/32" X 1" LG .....	4