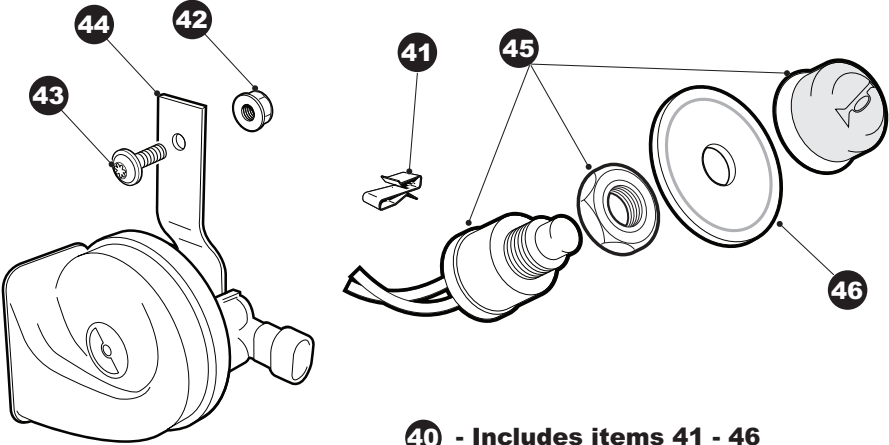
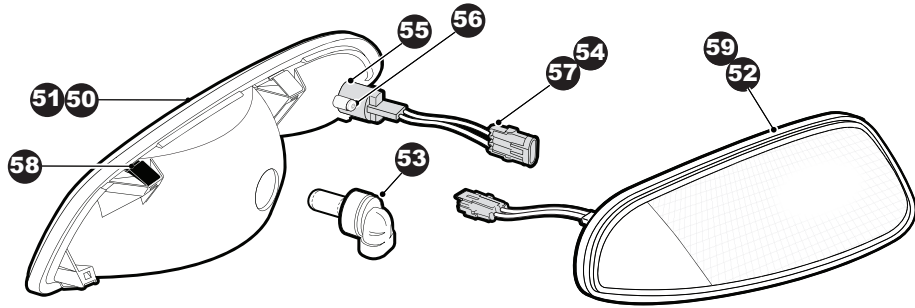


**35 - Includes items 36 - 38**

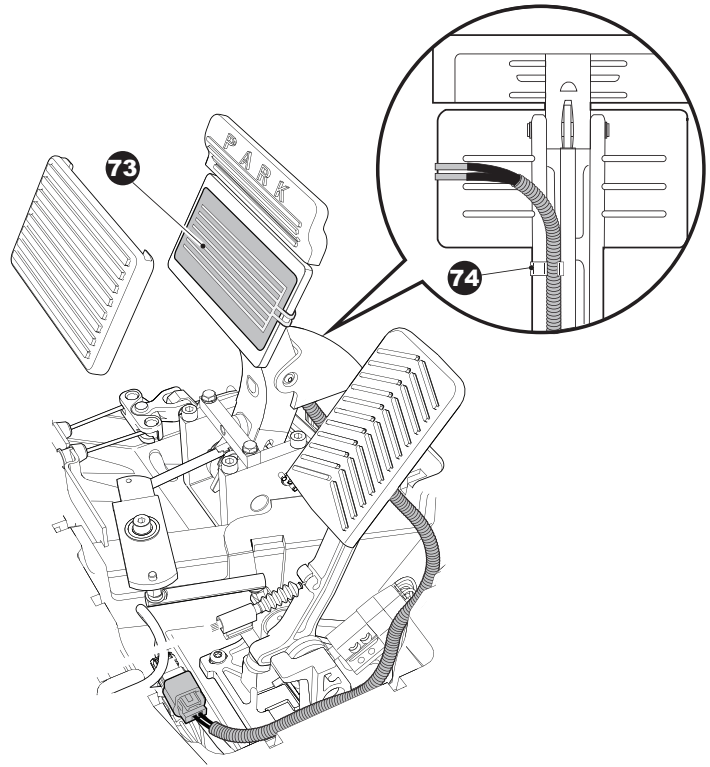


**40 - Includes items 41 - 46**

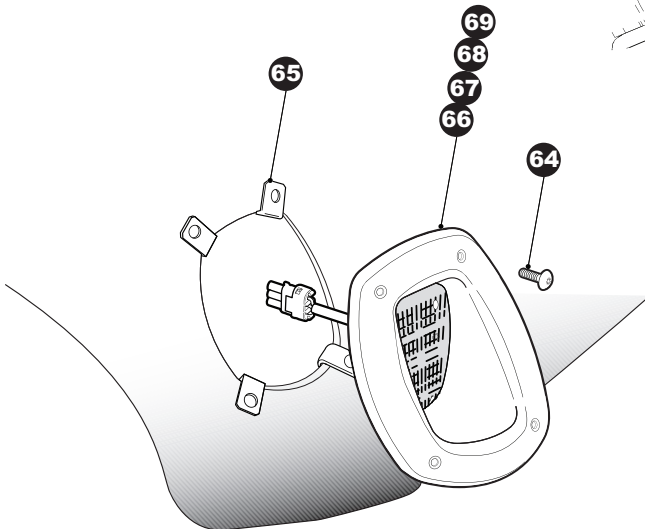
# ELECTRICAL SYSTEM

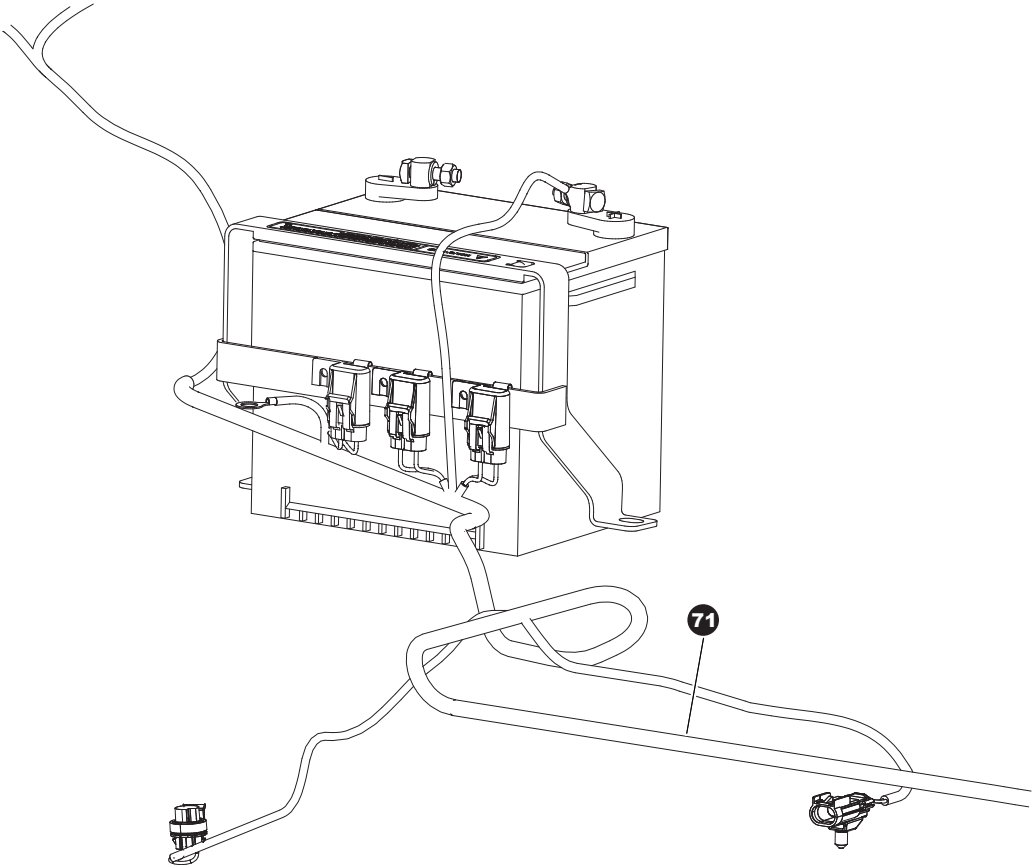


**49** - Includes items 50 - 59



**62** - Includes items 63 - 69





# ELECTRICAL SYSTEM

Where applicable, THE USE OF NON UL PARTS WILL VOID ANY UL LISTING.

When ordering parts, please specify the model and serial number of the product.

\* Indicates a component that is not available as an individual part.

G\*\* Indicates consult Customer Service Department for additional information.

ITEM	PART NO.	1 2 3 4 5	DESCRIPTION	QTY.
1	602163		MAIN HARNESS, FLEET .....	1
2	24775G1		BATTERY, 12V .....	1
3	601832		BATTERY TIE DOWN .....	1
4	605957		BOSS SCREW, M8 .....	2
5	601462		POSITIVE BATTERY CABLE (SOL - BATT+) .....	1
6	603874		6 GA. WIRE, (SOL - F2).....	1
7				
8				
9	603282		RELAY, 12V .....	1
10	27739G01		VOLTAGE REGULATOR.....	1
11	16816G1		RACHET FASTENER.....	1
12	601326		SCREW, M6 - 1.0 X 25.....	3
13	601476		NUT, M6 - 1 .....	4
14	602053		NUT, M4 .....	3
15	600543		SCREW, M4 - 0.7 X 12.....	3
16	602063		SCREW, M6 - 1.0 X 40.....	1
17	603390		COVER.....	1
18	600962		BRACKET .....	1
19				
20				
21	602070		GROUND CABLE.....	1
22	606962		CLAMP .....	1
23	606264		BOLT, M6 - 1.0 X 20 .....	1
24	602572		BOLT, M10 - 1.5 - 25 .....	1
25				
26				
27	607120		HOUR METER .....	1
28	603721		HOUR METER BRACKET .....	1
29				
30				

# ELECTRICAL SYSTEM

Where applicable, THE USE OF NON UL PARTS WILL VOID ANY UL LISTING.

When ordering parts, please specify the model and serial number of the product.

\* Indicates a component that is not available as an individual part.

G\*\* Indicates consult Customer Service Department for additional information.

ITEM	PART NO.	1 2 3 4 5	DESCRIPTION	QTY.
31	604015		FUEL GAUGE .....	1
32	604019		HEADLIGHT SWITCH.....	1
33	603623		KEY SWITCH.....	1
34				
35	607530		TURN SIGNAL SWITCH KIT (includes items 36 - 38).....	1
36	604511		TURN SIGNAL ASSEMBLY.....	1
37	20965G3		COVER .....	1
38	608771		RUBBER TAPE/INSULATION.....	1
39				
40	607528		HORN ASSEMBLY KIT (includes items 41- 46).....	1
41	01072G01		CLIP .....	2
42	601476		LOCK NUT, M6 - 1 .....	1
43	601326		BUTTON HEAD TORX BOLT, M6 - 1 X 20 .....	1
44	604196		HORN ASSEMBLY .....	1
45	604193		HORN BUTTON SWITCH ASSEMBLY .....	1
46	608397		HORN PLATE .....	1
47				
48				
49	607445		HEADLIGHT KIT (includes items 50 - 59).....	1
50	607439		HEADLIGHT ASSEMBLY, DRIVER SIDE (includes items 52 - 58) .....	1
51	607438		HEADLIGHT ASSEMBLY, PASSENGER SIDE (includes items 53 - 59)..	1
52	604452		GASKET, DRIVER SIDE .....	1
53	74004G01		HEADLIGHT BULB .....	1
54	604539		TURN SIGNAL BULB.....	1
55	608322		BULB RETAINER .....	1
56	608328		BUTTON HEAD TORX SCREW, PLASTITE.....	1
57	607487		TURN SIGNAL WIRE HARNESS .....	1
58	607434		HEADLIGHT RETAINING CLIP.....	4
59	607437		GASKET, PASSENGER SIDE.....	1
60				