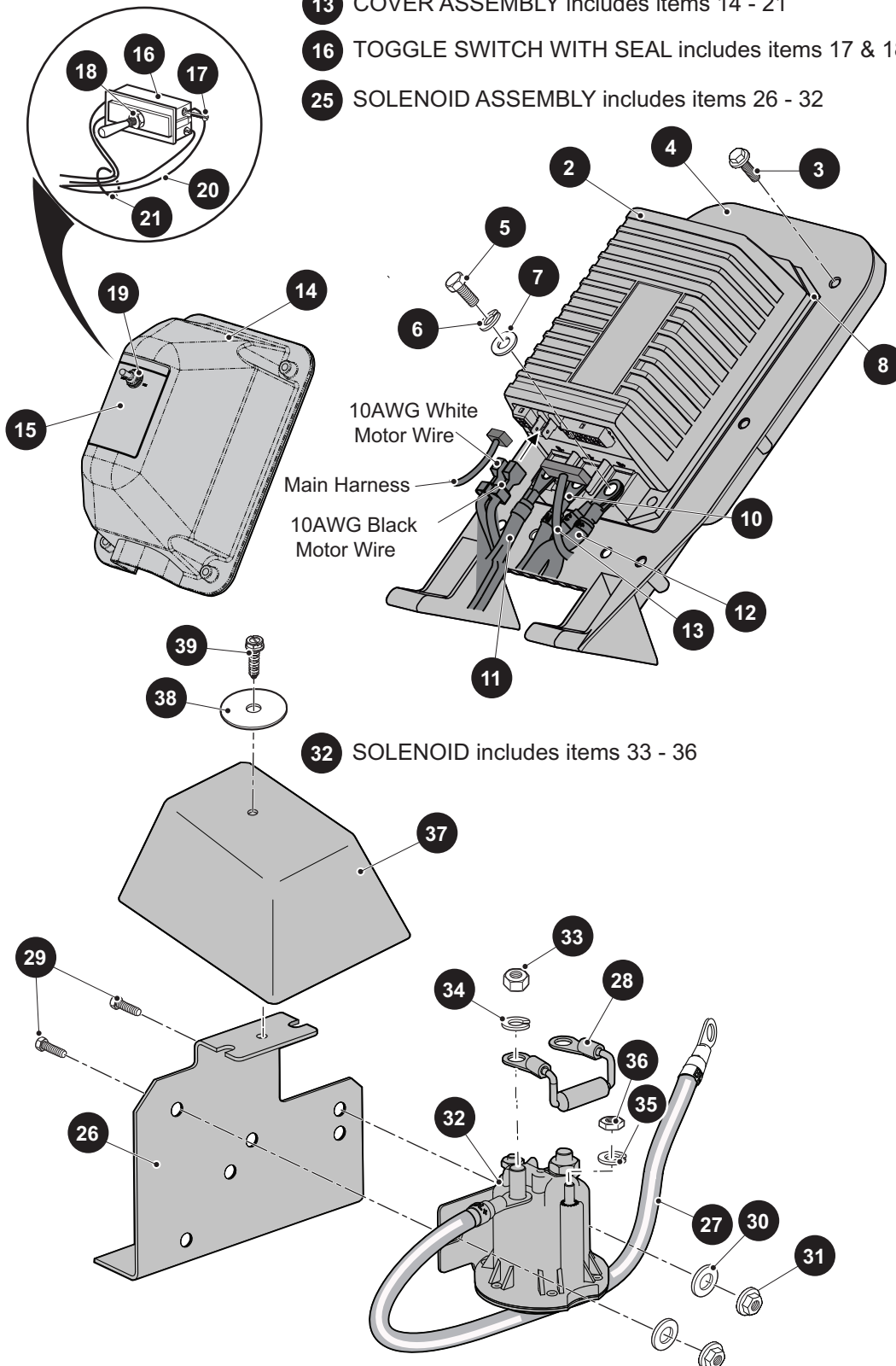


ELECTRONIC SPEED CONTROL

- 1 ELECTRONIC SPEED CONTROL ASSEMBLY includes items 2 - 13
- 13 COVER ASSEMBLY includes items 14 - 21
- 16 TOGGLE SWITCH WITH SEAL includes items 17 & 18
- 25 SOLENOID ASSEMBLY includes items 26 - 32



ELECTRONIC SPEED CONTROL

When ordering parts, please specify the model and serial number of the product.

* Indicates a component that is not available as an individual part.

*** Indicates consult Customer Service Department for additional information.

ITEM	PART NO.	1 2 3 4 5	DESCRIPTION	QTY.
1	612756		ELECTRONIC SPEED CONTROL ASSEMBLY, 48V (INCLUDES ITEMS 2 - 13)	1
2	612632		CONTROLLER, 48V.....	1
3	71102G01		HEX HEAD WASHER BOLT, 1/4" - 20 X 3/4" LG	3
4	73471G01		HEAT SINK.....	1
5	73296G01		HEX HEAD BOLT, 8MM X 16MM	3
6	00565G8		LOCK WASHER, 5/16"	3
7	00559G8		FLAT WASHER, 5/16"	3
8	73190G01		THERMAL MOUNTING PAD.....	1
9	31539G1		NYLON CLAMP (NOT ILLUSTRATED).....	1
10	617612		POWER WIRE HARNESS, DC	1
11	620437		6 AWG BLUE WIRE, 675MM	1
12	620432		6 AWG GREEN WIRE, 400MM	1
13	612753		COVER ASSEMBLY (INCLUDES ITEMS 14 - 21).....	1
14	73482G01		COVER (WITH GASKET)	1
15	613048		LABEL (TOW SWITCH)	1
16	73125G01		TOGGLE SWITCH WITH SEAL (INCLUDES ITEMS 17 & 18).....	1
17	*		BINDING HEAD SCREW, #5 - 40	4
18	*		HEX NUT, 15/32" - 32.....	1
19	73139G01		SEALED NUT, 15/32" - 32	1
20	73138G02		WIRE HARNESS (TOW SWITCH)	1
21	17618G1		WIRE TIE	1
22				
23				
24				
25	613104		SOLENOID ASSEMBLY (INCLUDES ITEMS 26 - 32).....	1
26	73057G01		BRACKET.....	1
27	607592		4AWG GREEN WIRE ASSEMBLY, 28"	1
28	620430		RESISTER ASSEMBLY 500 OHM	1
29	00414G5		HEX HEAD BOLT 1/4" - 20 X 5/8" LG	2
30	01110G01		FLAT WASHER, 1/4"	2