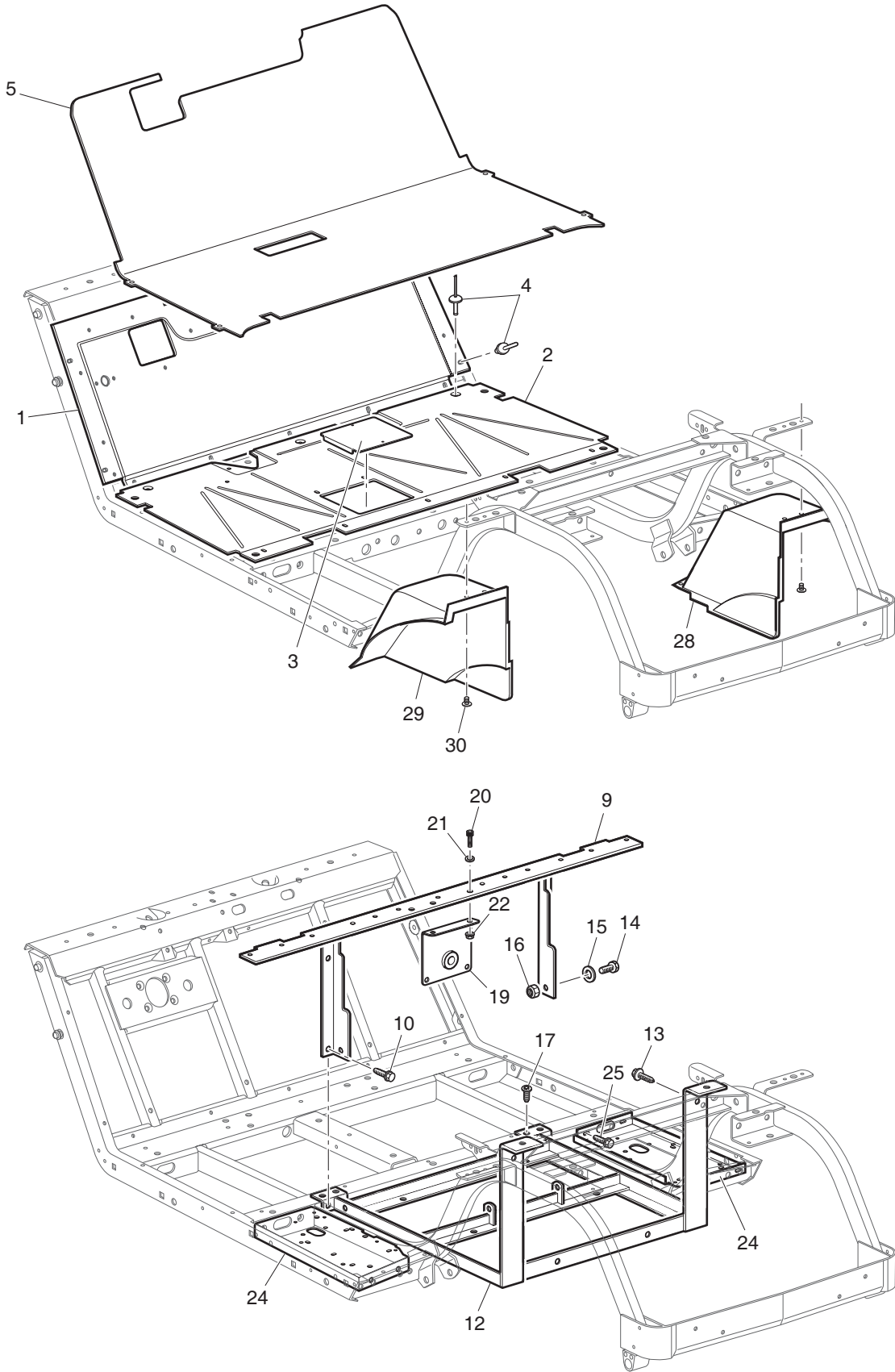


BODY - MID SECTION



Ref Bod 1-2

BODY - MID SECTION

Where applicable, THE USE OF NON UL PARTS WILL VOID ANY UL LISTING.

When ordering parts, please specify the model and serial number of the product.

* Indicates a component that is not available as an individual part.

G** Indicates consult Customer Service Department for additional information.

| ITEM | PART NO. | 1 2 3 4 5 | DESCRIPTION | QTY. |
|------|-----------|-----------|--|------|
| 1 | 70662-G01 | | UPPER FLOORPAN..... | 1 |
| 2 | 70451-G01 | | LOWER FLOORPAN..... | 1 |
| 3 | 70452-G01 | | ACCESS COVER..... | 1 |
| 4 | 14601-G11 | | RIVET, 3/16" X 9/16" LG (ALUMINUM)..... | 16 |
| 5 | 70995-G01 | | FLOORMAT..... | 1 |
| 6 | | | | |
| 7 | | | | |
| 8 | | | | |
| 9 | 70441-G01 | | SEAT FRAME..... | 1 |
| 10 | 00715-G2 | | BOLT, 5/16 - 18 X 13/16" LG..... | 2 |
| 11 | | | | |
| 12 | 70046-G02 | | BATTERY RACK..... | 1 |
| 13 | 00715-G2 | | BOLT, 5/16 - 18 X 13/16" LG..... | 2 |
| 14 | 00438-G6 | | BOLT, 5/16 - 18 X 3/4" LG..... | 2 |
| 15 | 00559-G8 | | WASHER, 5/16"..... | 2 |
| 16 | 11098-G6 | | LOCK NUT, 5/16 - 18 (STAINLESS STEEL)..... | 2 |
| 17 | 70200-G01 | | SCREW, 3/8 - 16 X 3/4" LG..... | 2 |
| 18 | | | | |
| 19 | 70444-G02 | | BRACKET..... | 1 |
| 20 | 28272-G01 | | BOLT, 1/4 - 20 X 5/8" LG..... | 2 |
| 21 | 01110-G01 | | WASHER, 1/4" (STAINLESS STEEL)..... | 2 |
| 22 | 11027-G2 | | LOCK NUT, 1/4 - 20..... | 2 |
| 23 | | | | |
| 24 | 70244-G03 | | SPLASH PANEL..... | 2 |
| 25 | 00715-G2 | | BOLT, 5/16 - 18 X 13/16" LG..... | 8 |
| 26 | | | | |
| 27 | | | | |
| 28 | 71812-G01 | | FENDER LINER (PASSENGER SIDE)..... | 1 |
| 29 | 71812-G02 | | FENDER LINER (DRIVER SIDE)..... | 1 |
| 30 | 16816-G2 | | RIVET, 1/4" X 3/4" LG..... | 8 |