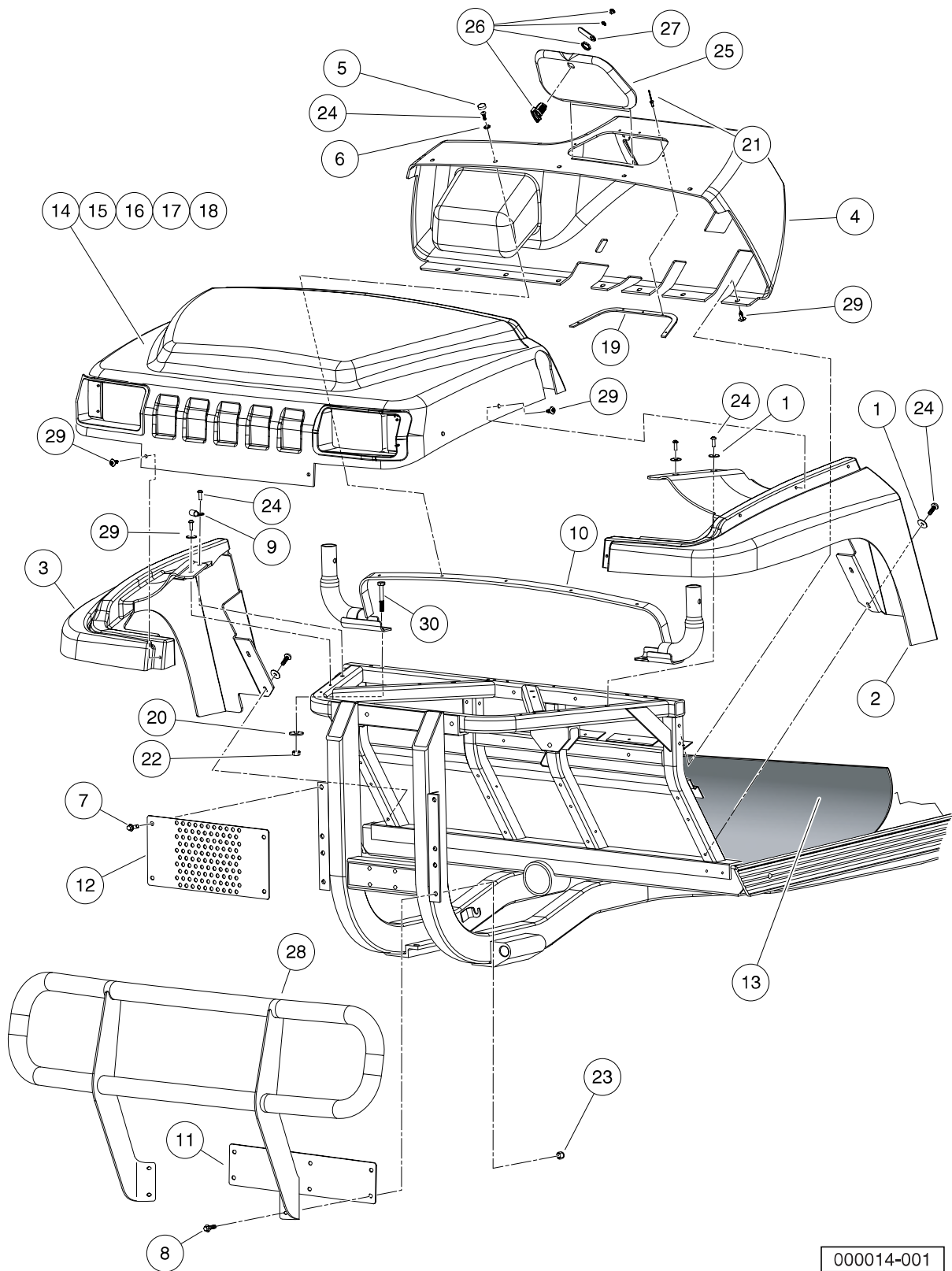


1
G

D



000014-001

FRONT BODY TRIM, GASOLINE VEHICLES

ITEM	PART NO.	DESCRIPTION	QTY
		1 2 3 4	
1	1014306	Washer, 1/4" Type B Flat	7
2	102021502	Fender, Left Front	1
3	102021602	Fender, Right Front	1
4	102021802	Dashboard with Access Hole	1
5	102045001	Cap, 1/4" Plastic Screw Head	5
6	102048401	Washer, 1/4 Id Scalloped Plast	5
7	102289002	Screw, M8 X 1.25 X 30 Tri, Blk	4
8	102298130	Bolt, Flange Head, M8 X 30.0	4
9	102410603	P-Clamp, Insulated .312 In	1
10	102418501	Weldment, Support, ROPS	1
11	102420601	Plate, Brush Mount	1
12	102429301	Grill, Flat	1
13	102432001	Mat, Floor	1
14	102459710	Cowl, Machined, Dark Green	1
15	102459714	Cowl, Machined, Dark Gray	1
16	102459715	Cowl, Machined, Red	1
17	102459716	Cowl, Machined, White	1
18	102459718	Cowl, Machined, Camo	1
19	102477301	Support, Access Panel, Dash	1
20	102491501	Washer Hard,m10	4
21	102492801	Rivet, .125" Dia, .311" Panel	5
22	102617201	Nut Flg M10 X 1.5 Mech Def	4
23	102618601	Lock Nut, Flg M8 X 1.25 Nylon	4
24	102628601	Screw, 1/4-20 X 1.0 Pn Hd Torx	13
25	102760501	Panel, Access, Dash	1
26	102760701	Cam Lock Body	1
27	102760801	Latch, Cam, Access Panel	1
28	102778001	Asm, Brush Guard	1
29	102967901	Rivet, Removable, Tuflok 1/4"	15
30	96715552	Bolt, M10 X 1.50 X 65	4

1

G

D